

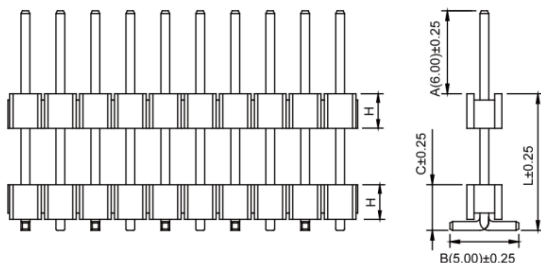
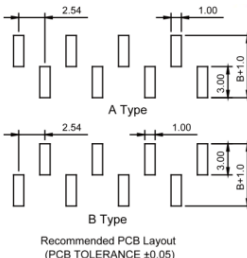
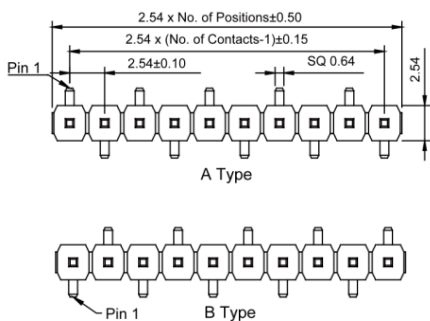
Pin Header 2.54mm 1 Row H=1.7mm SMT Type

Specifications

Current Rate: 3 AMP
 Insulation Resistance: 1000MΩ Min.
 Contact Resistance: 20mΩ Max.
 Dielectric Voltage: 1000V AC for one minute
 Operation Temperature: -40°C to +105°C

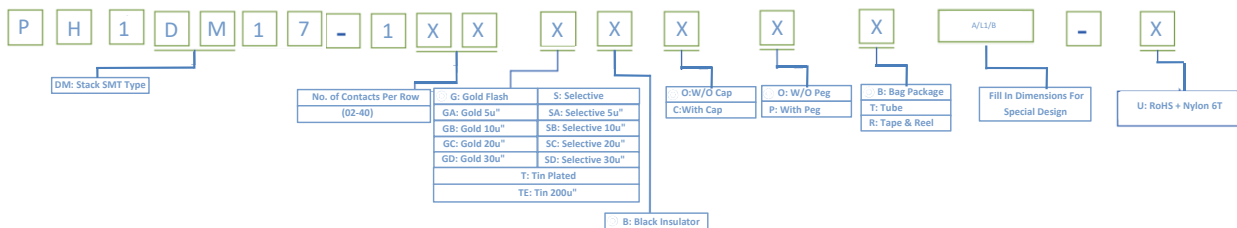
Material

Insulator: Hi-Temp. Thermoplastic, UL 94V-0
 Terminal: Copper Alloy
 Plating: Gold Plated



Part No.: PH1DM17-1XX-U

ORDER INFORMATION



©: Standard Recommend